

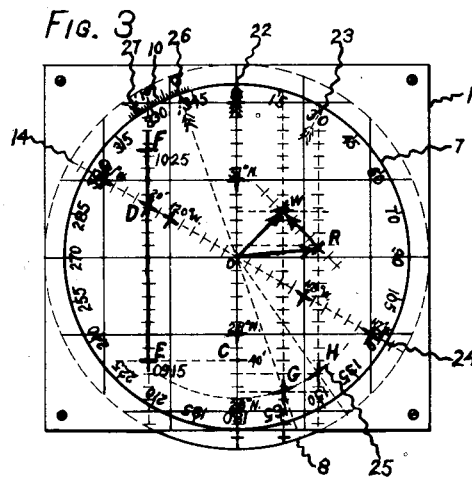
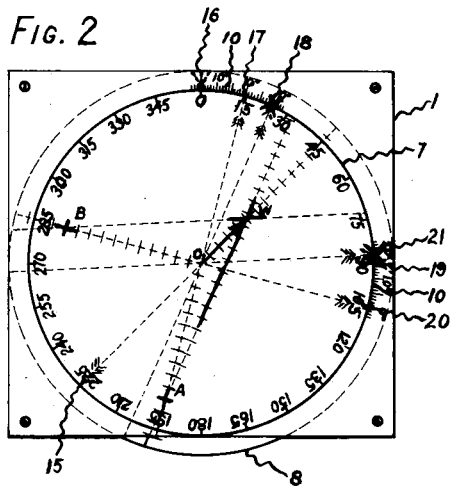
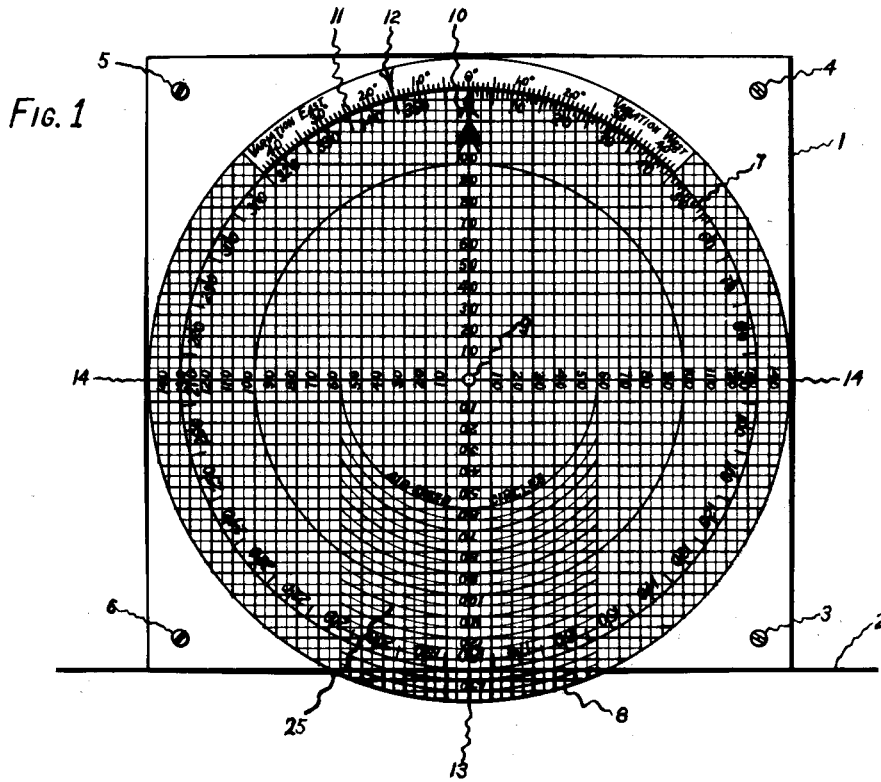
Sept. 3, 1935.

P. DALTON

2,013,603

PLOTTING AND COMPUTING DEVICE

Filed June 1, 1933



INVENTOR: Philip Dalton